



INSTRUCTIONS:

1. Submit 3 copies of this completed form, 3 copies of site plan and Homeowners' Association approval (if required). (Example of site plan available at Building Department.)
2. Complete a building permit application form.
3. Obtain approvals from Planning and Building Departments.

NOTES:

- A. The longest wall and one additional wall shall have a minimum open area equal to 65% of the wall area below 6'-8".
- B. Openings may be enclosed with insect screening or plastic that is 1/8" max thick translucent or transparent which is readily removable (ie wingnuts).
- C. Such enclosures shall not obstruct bedroom egress (window or door) which is required to open onto a yard or exist court.
- D. 5'-0" minimum clearance is required between patio cover and pool or spa.
- E. Minimum concrete strength = 2500 psf @ 28 days.
- F. All pre-fabricated connectors shall be ICBO approved.

PATIO COVER SPAN TABLES

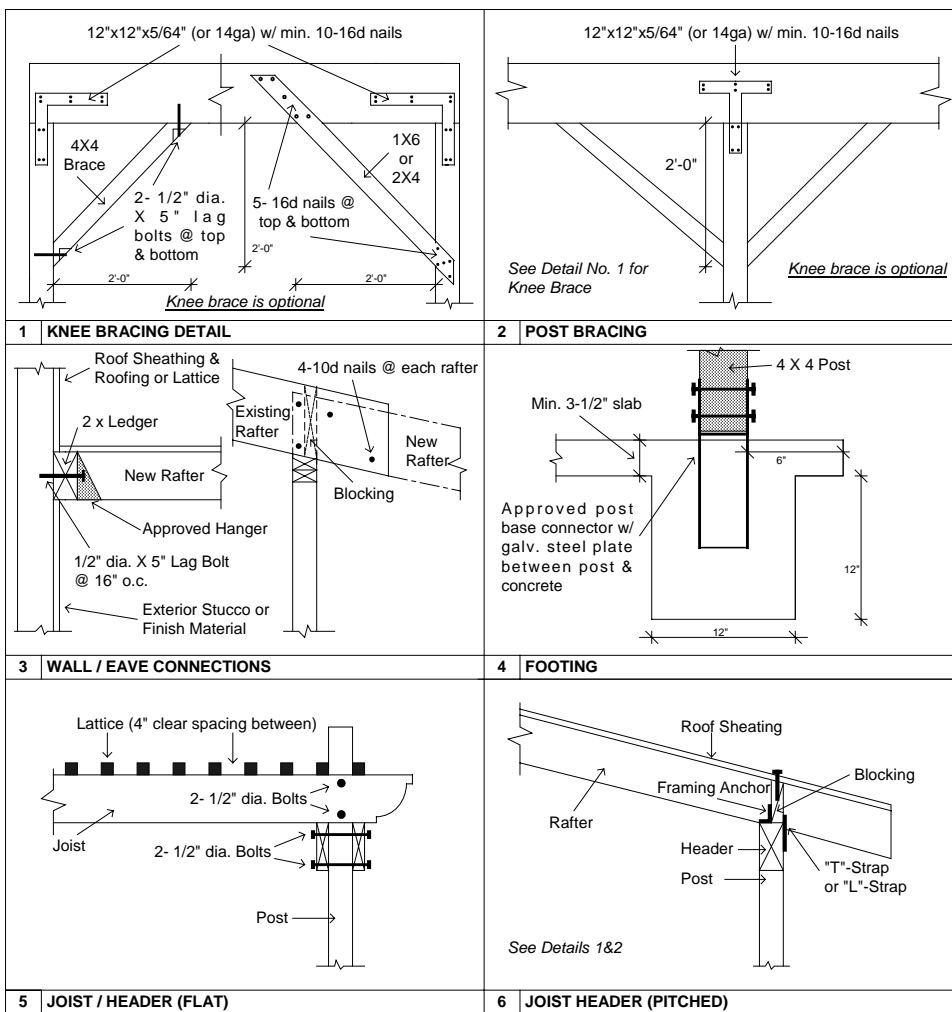
LATTICE PATIO COVER RAFTER SPANS (MAX) DF NO. 2					
Size	Spacing (inches o.c.)				
	16	24	32	36	48
2X4	9'-9"	8'-7"	7'-9"	7'-6"	6'-9"
2X6	15'-4"	13'-6"	12'-2"	11'-9"	10'-8"
2X8	19'-2"	17'-9"	16'-1"	15'-6"	13'-9"

SOLID PATIO RAFTER SPANS (MAX) DF NO.2		
Size	Spacing (inches o.c.)	
	16	24
2X4	7'-7"	6'-8"
2X6	12'-0"	10'-6"
2X8	15'-10"	13'-9"
2X10	20'-2"	17'-6"
(2)2X4	15'-2"	13'-4"
(2)2x6	24'-10"	21'-0"

LATTICE PATIO COVER HEADER SPAN (MAX)		
Size	DF NO.1	DF NO.2
(2)2X6	9'	8'
(2)2X8	12'	11'

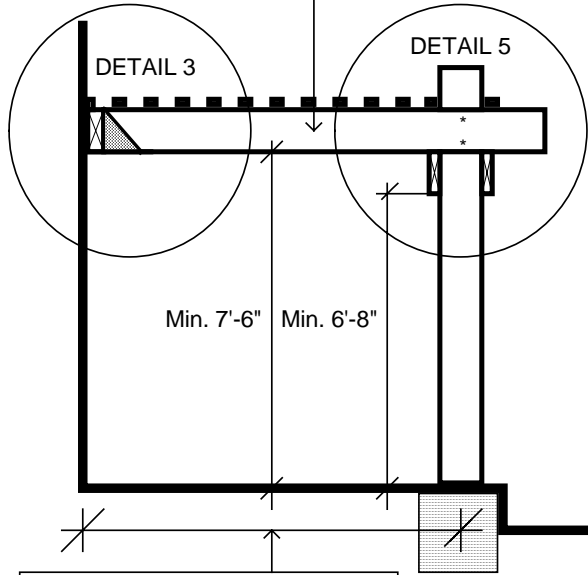
SOLID PATIO COVER HEADER SPAN (MAX)		
Size	DF NO.1	DF NO.2
(2)2X6	7'	6'
(2)2X8	9'	8'
(2)2X10	11'	10'
(2)2X12	13'	11'
4X6	8'	6'
4X8	10'	8'
4X10	12'	10'
4X12	14'	12'

PATIO COVER DETAILS



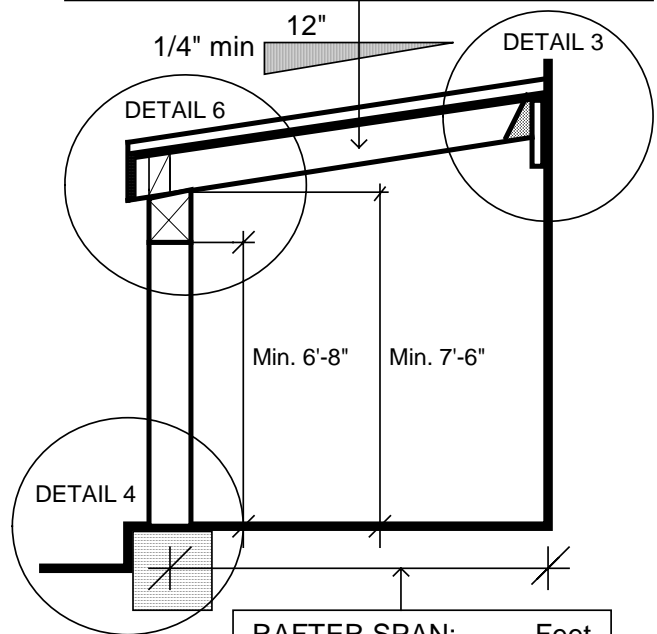


RAFTER SIZE : ____ X ____ @ ____ " o.c.



RAFTER SPAN: ____ Feet
(Maximum span 16'-0")

RAFTER SIZE: ____ X ____ @ ____ " o.c.



RAFTER SPAN: ____ Feet
(Maximum span 14'-0")

HEADER SIZE:
____ X ____

- Solid (1/2" CDX w/8d 6:6:12)
- or
- Lattice Roof

